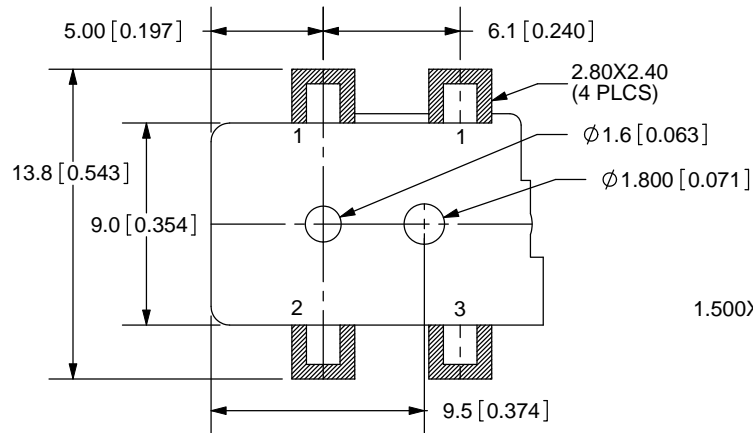
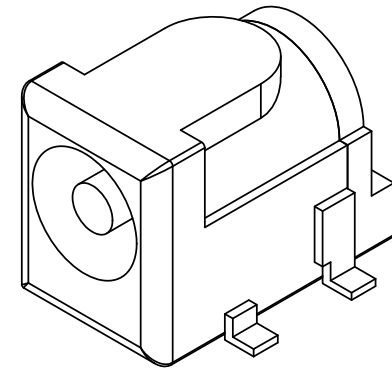
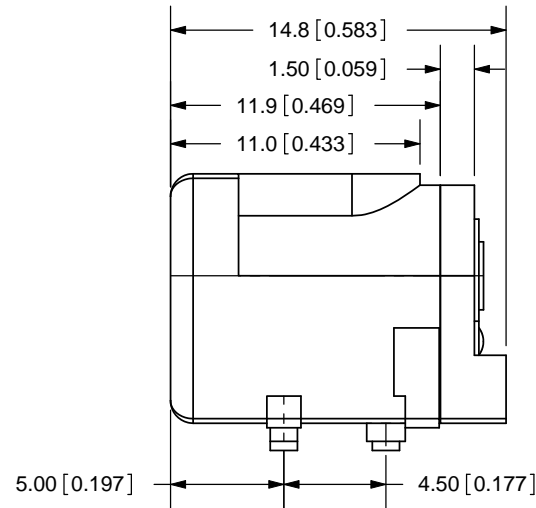
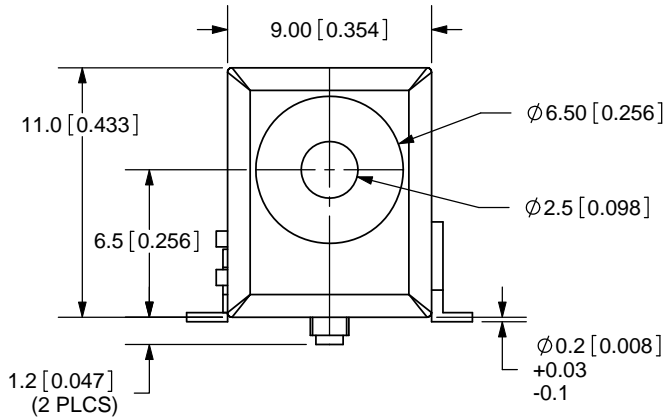
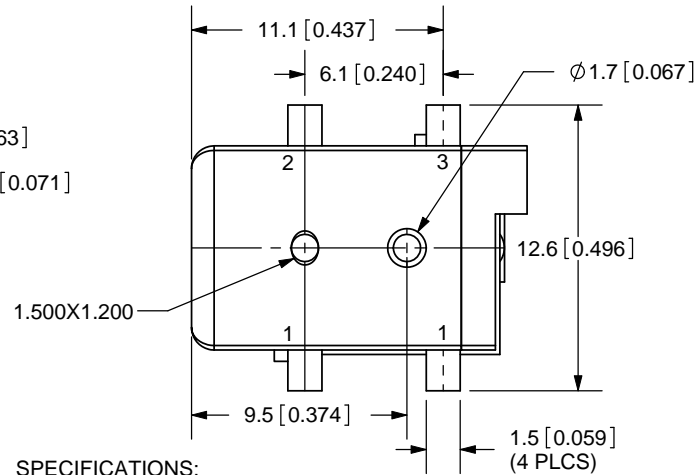


REV.	DESCRIPTION	DATE
A	NEW DRAWING	11/15/2005
B	corrected spec error	10/29/2007



PCB LAYOUT
TOP VIEW



TOLERANCE:
X.X ±0.2mm
X.XX ±0.1mm
X.XXX ±0.05mm



MODEL NO.	PJ-002B-SMT
SCHMATIC	

CENTER PIN DIAMETER 2.5mm Dia.

SPECIFICATIONS:

RATING: 16V DC @ 2.5A
CONTACT RESISTANCE: 30m OHMS MAX
INSULATION RESISTANCE: 50M OHMS MIN: 500V DC
VOLTAGE WITHSTAND: 500V AC R.M.S. FOR 1 MINUTE
LIFE: 5,000 CYCLES

	MATERIAL	PLATING
CENTER PIN	Copper	Nickel
TERMINAL 1	Brass	Silver
TERMINAL 2	Copper Alloy	Silver
TERMINAL 3	Brass	Silver
HOUSING	PA6T	



CUI INC

20050 SW 112th Ave.
Tualatin, OR 97062
Phone: 503-612-2300
800-275-4899
Fax: 503-612-2383
Website: www.cui.com

TITLE:	2.5mm SURFACE MOUNT POWER JACK	REV:	A
PART NO.	PJ-002B-SMT	UNITS:	MM [INCHES]
DRAWN BY:	ZRJ	APPROVED BY:	
		SCALE:	2:1

PC FILE NAME:
PJ-002B-SMT

COPYRIGHT 2007 BY CUI INC.

